

veito



User manual



THESE INSTRUCTIONS SHOULD BE READ CAREFULLY AND RETAINED FOR FUTURE REFERENCE

Read all instructions before installing or using this heater.

Installation must be carried out by a licensed and authorised person only.

Improper installation, adjustment, alteration, service or maintenance can cause personal injury, property damage or death.

The installer is to ensure that the requirements of the local authority, local electrical installation code, municipal building codes, and any other relevant statutory regulations are carried out.

The manufacturer is not responsible for any damage that could happen from improper use. The manufacturer emphasizes that this appliance should be used in a responsible manner and that all procedures, warnings, and safety instructions contained in this booklet be followed strictly.

IMPORTANT SAFETY INSTRUCTIONS

When using electrical appliances, basic safety precautions should always be followed to reduce the risk of fire, electric shock, and injury to persons, including the following:

Use this heater only as described in this manual. Any other use, not recommended by the manufacturer, may cause fire, electric shock, or injury to persons.

This heater is not intended for use in bathrooms, laundry areas and similar indoor locations. Never locate heater where it may fall into a bathtub or other water container.

Do not install the heater directly near a bathtub, shower or swimming pool. Any switches or controls must not be within reach of a person in the bathtub, shower or swimming pool.

This heater is hot when in use. To avoid burns, do not let bare skin touch hot surfaces. Keep combustible materials, such as furniture, pillows, bedding, papers, clothes and curtains at least 1.5 m from the front of the heater and keep them away from the sides and rear.

Extreme caution is necessary when any heater is used by or near children or invalids and whenever the heater is left operating and unattended.

This appliance is not intended for use by persons (including children) with reduced physical, sensory or mental capabilities, or lack of experience and knowledge, unless they have been given supervision or instruction concerning use of the appliance by a person responsible for their safety.

Keep packaging materials out of reach of children.

Children and adults should be alerted to the hazards of high surface temperatures and should stay away to avoid burns, clothing ignition, or other serious personal injury.

Young children should be supervised to ensure that they do not play with the appliance.

Do not attempt to alter the unit in any manner.

Do not paint any surface of the heater.

Do not touch the heater with wet hands at any time.

Do not insert or allow fingers or foreign objects to enter any ventilation or exhaust opening as it may cause an electric shock or fire or damage the heater.

Do not touch any part of the heater during operation.

Always disconnect the heater from the electricity supply and allow adequate time (minimum of 30 mins.) for it to cool before adjusting the position or attempting to work on it.

Do not use or store flammable materials near this appliance.

Do not spray aerosols or flammable materials in the vicinity of this appliance while it is in operation.

Never operate the heater in an explosive environment such as areas where petrol or other flammable liquids or vapours are stored.

Do not cover the heater.

Clothing or other flammable materials should not be hung from the heater or placed on or near the heater.

After unpacking, make sure the appliance shows no signs of visible damage or tampering. If the appliance appears damaged, contact the place of purchase for assistance.

Check for damage to the appliance regularly. Do not use the heater if the heating element is cracked or broken. If damage to the appliance is suspected, discontinue use immediately and contact the supplier or qualified person to repair.

This heater is designed for use on a 220-240 V AC single phase supply.

This heater must be grounded. Connect to properly grounded outlets only.

Ensure both plug and socket is clean and free from dust when using.

To disconnect the heater from the power supply, grip the plug and pull from the power socket. Never pull by the cord.

Do not touch the plug with wet or moist hands.

Do not use an extension cord with this heater.

Do not allow the supply cord to sit or hang in front of the heater while in use and keep it away from the body of the heater which will get hot during operation.

Regularly inspect the power cord and plug for wear or damage and do not operate the heater with a damaged cord, plug or loose socket or after the heater malfunctions, has been dropped or damaged in any manner.

Do not run cord under carpeting. Do not cover cord with throw rugs, runners or the like. Arrange cord away from traffic area and where it will not be tripped over.

A heater has hot and arcing or sparking parts inside. Do not use it in areas where gasoline, paint or flammable liquids are used or stored.

This user manual should not be removed from the site of installation. Installer should leave manual with the customer for future reference.

Do not locate the heater immediately above or below a fixed socket outlet or connection box. This is because the heat radiated from the appliance may damage the electricity outlet or plug.

Always unplug the heater when not in use.

This heater is designed to be horizontally wall mounted only. Do not mount the heater vertically. Installing vertically will void the manufacturer's warranty.

For installation use only the supplied accessories or original accessories approved by the manufacturer.

The heater should always have a minimum clearance of 300 mm from a ceiling and adjacent walls.

Do not place articles on or against this appliance.

A minimum safety distance of 1500 mm should always be left in front of the appliance.

This heater must be mounted at a minimum of 1800 mm above the floor.

INTRODUCTION

The Manta carbon infrared heater is engineered as a robust indoor-outdoor heater. Every component in the Manta heater is optimized for performance. That includes the veito carbon infrared tube producing mid-wave infrared heat. The Manta heater has IP55 weatherproof design, which means you can use it for patios, terraces, smoking areas, conservatories, restaurants, hotels, bathrooms, garages, workshops, factories, warehouses and many more.

Model	Manta
Voltage	220-240 V AC, 50/60 Hz
Power	2500 W
Current	10.9 A
Dimensions (W x H x D)	1000 x 200 x 200 mm
Weight	3.5 kg
IP Rating	IP66

CLEANING AND MAINTENANCE

Installation and repair must be carried out by a qualified and licenced person only.

Always disconnect the heater from the electricity supply and allow it to cool before attempting to work on it.

If the heater has collected dust or dirt inside the unit or around the heating element, have the unit cleaned by a qualified service agent. Do not operate the heater in this condition.

The only maintenance required is cleaning of the external surfaces of the heater.

Do not use powerful abrasive or solvent cleaning fluids when cleaning the heater. Use a damp cloth to wipe the outside of the heater.

If removed from its mounting position when not in use, store the heater carefully in a safe, dry, childproof location.

Do not touch the heating element with bare fingers, as residue from your hand could affect the life of the lamp. If it is accidentally touched, remove the finger marks with a soft cloth moistened with methylated spirit or alcohol.

Do not attempt to repair or adjust any electrical or mechanical functions on this heater.

The heater contains no user serviceable parts. Check for damage to the appliance regularly. If damage to the appliance is suspected, discontinue use immediately and contact the supplier or qualified person to repair.

The supply cord should be regularly examined for signs of damage and the heater is not to be used if the cord is damaged.

If the supply cord is damaged, it must be replaced by the manufacturer's service agent or a qualified and licenced service person in order to avoid hazards.

RECYCLING

For electrical products sold within the European Community. At the end of the electrical products useful life it should not be disposed of with household waste. Please recycle where facilities exist. Check with your Local Authority or retailer for recycling advice in your country.



INSTALLATION

Installation must be carried out by a licensed and authorised person only.

Only connect the appliance to a power supply that conforms to the specification stated on rating plate.

This heater must be installed according to the minimum installation clearances shown in the diagrams.

Mark and drill the mounting holes on the ceiling or wall.

Attach the mounting bracket to the ceiling or wall.

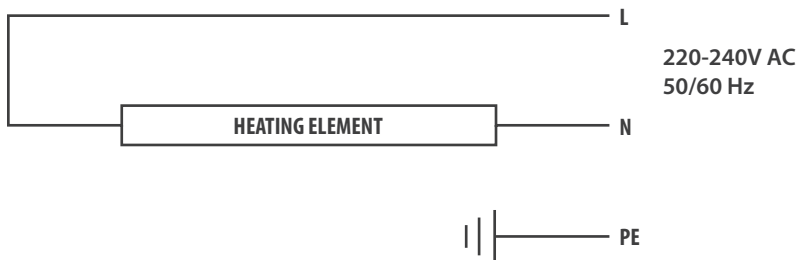
Bring the heater up to mounting bracket. Insert M6 bolts in the slots on the heater and the holes on the mounting bracket. Lock into position with M6 nuts.

Rotate the heater to require angle and lock into position with the bolt and nut on the wall bracket.

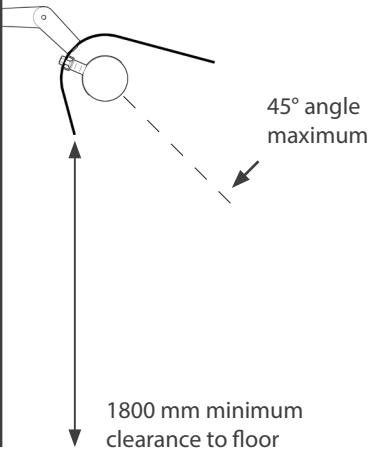
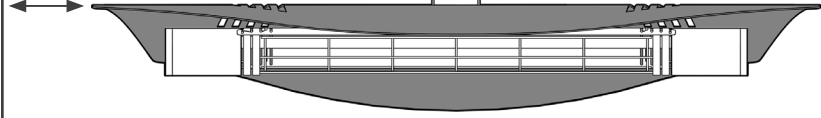
Do not position the heater at an angle of more than 90° and less than 45°.

Plug in to turn the heater on.

WIRING DIAGRAM

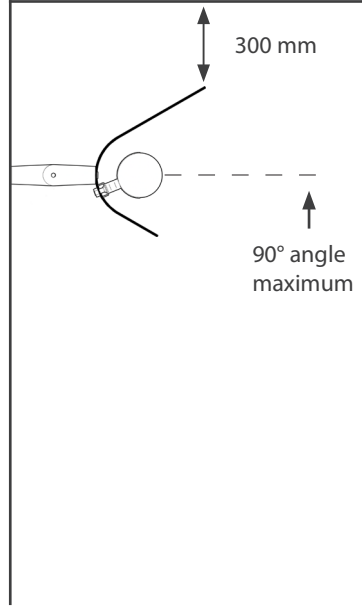


300 mm



45° angle maximum

1800 mm minimum clearance to floor



300 mm

90° angle maximum

